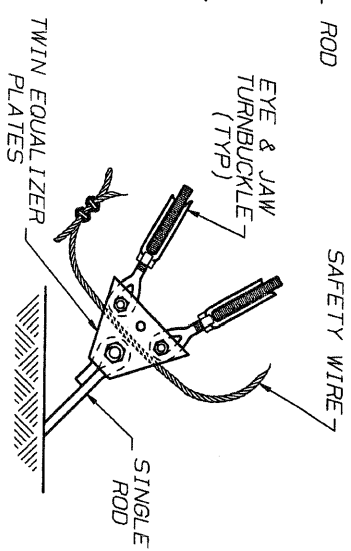
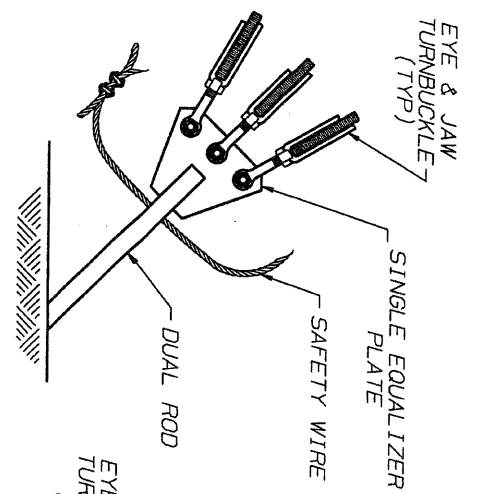


1" EHS WIRE (UP TO 1" TURNBUCKLES)
 5/8" EHS WIRE (1 1/4" TURNBUCKLES & LARGER)

NOTE:
 DUE TO VARIABLES INVOLVED IN ROOF AND OTHER INSTALLATIONS, IT SHALL BE THE CUSTOMER'S OR INSTALLER'S RESPONSIBILITY TO PROVIDE STRUCTURALLY ADEQUATE SUPPORTS FOR PIER AND ANCHOR CONNECTIONS. IT MAY ALSO BE NECESSARY FOR THE CUSTOMER OR INSTALLER TO SECURE THE SERVICES OF A LOCAL ENGINEER TO DETERMINE THAT INSTALLATION COMPLIES WITH LOCAL BUILDING CODES.



NOTE: SEE THE LATEST REVISION OF DRAWING C611211 FOR CABLE TENSIONING AND TURNBUCKLE MAINTENANCE DETAILS

ROH REDRAWN AND UPDATED		02/05/01	WRF	1	01	75
No. ▲ Revision Description		▲ Date	▲ Rev By	▲ Crd By	▲ Appd By	
THIS DRAWING IS THE PROPERTY OF ROHN. IT IS NOT TO BE REPRODUCED, COPIED OR TRACED IN WHOLE OR IN PART WITHOUT OUR WRITTEN CONSENT.						
Scale: NONE		By	Date			
Drawn:	AJ		3/16/68			
Checked:	OH		4/4/68			
App. Eng.:						
Parent File:						
ENG. FILE:			TURNBUCKLE SAFETY METHODS			
DWG. NO.:			B680324			
SHEET 1 OF 1			REV 06			

ROHN