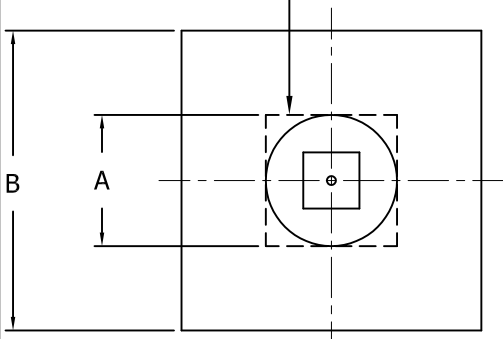
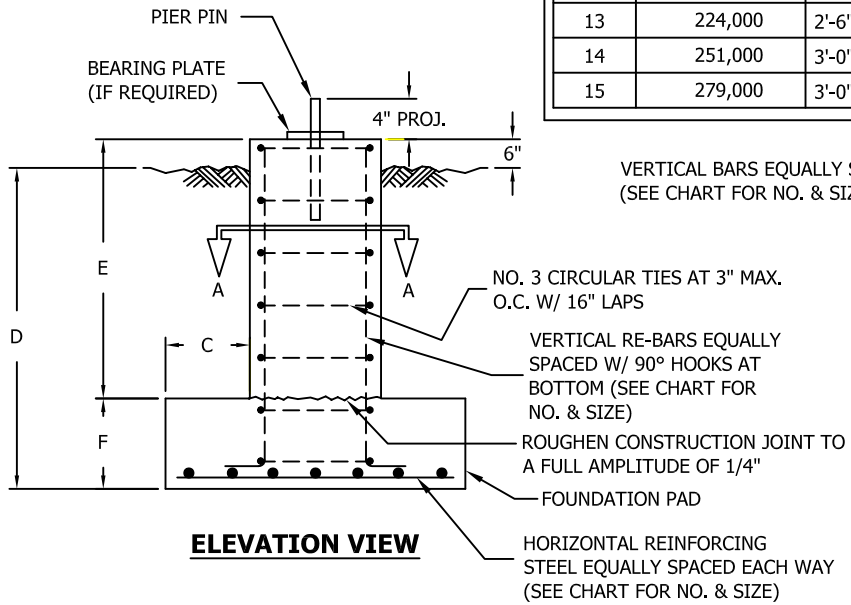


ALTERNATE SQUARE PIER
(SEE NOTE 2)



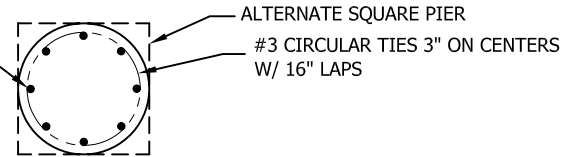
PLAN VIEW



ELEVATION VIEW

CB NO.	TOWER BASE REACTION (LBS)	DIMENSIONS						BEARING PLATE	CONC. (CU. YDS RD PIER)	VERTICAL BARS (NO. & SIZE)	HORIZ. BARS IN PAD (NO. & SIZE)
		* A	B	C	D	E	F				
1	18,000	2'-6"	2'-6"	0	4'-0"	0	0	BP6	0.80	8 NO. 7	NONE
2	26,000	3'-0"	3'-0"	0	4'-0"	0	0	BP6	1.20	10 NO. 7	NONE
3	36,000	3'-6"	3'-6"	0	4'-0"	0	0	BP6	1.60	12 NO. 7	NONE
4	46,000	4'-0"	4'-0"	0	4'-0"	0	0	BP6	2.10	12 NO. 8	NONE
5	58,000	2'-0"	4'-0"	1'-0"	4'-0"	3'-3"	1'-3"	BP6	1.10	8 NO. 6	5 NO. 5
6	74,000	2'-0"	4'-6"	1'-3"	4'-0"	3'-3"	1'-3"	BP6	1.30	8 NO. 6	6 NO. 5
7	90,000	2'-0"	5'-0"	1'-6"	4'-6"	3'-9"	1'-3"	BP10	1.60	8 NO. 6	6 NO. 5
8	109,000	2'-0"	5'-6"	1'-9"	4'-6"	3'-9"	1'-3"	BP10	1.80	8 NO. 6	7 NO. 5
9	130,000	2'-0"	6'-0"	2'-0"	4'-6"	3'-6"	1'-6"	BP10	2.40	8 NO. 6	7 NO. 6
10	150,000	2'-0"	6'-6"	2'-3"	4'-6"	3'-6"	1'-6"	BP10	2.80	8 NO. 6	8 NO. 5
11	173,000	2'-6"	7'-0"	2'-3"	5'-0"	3'-9"	1'-9"	BP15	3.90	8 NO. 7	8 NO. 6
12	198,000	2'-6"	7'-6"	2'-6"	5'-0"	3'-9"	1'-9"	BP15	4.30	8 NO. 7	9 NO. 6
13	224,000	2'-6"	8'-0"	2'-9"	5'-0"	3'-9"	1'-9"	BP15	4.80	8 NO. 7	9 NO. 6
14	251,000	3'-0"	8'-6"	2'-9"	5'-0"	3'-6"	2'-0"	BP15	6.30	12 NO. 7	9 NO. 7
15	279,000	3'-0"	9'-0"	3'-0"	5'-0"	3'-6"	2'-0"	BP15	6.90	12 NO. 7	10 NO. 7

VERTICAL BARS EQUALLY SPACED
(SEE CHART FOR NO. & SIZE)



SECTION A-A

NOTE:

1. SEE TOWER ASSEMBLY DRAWING FOR FOUNDATION LAYOUT AND PART NUMBERS FOR BEARING PLATE & PIER PIN. SEE DRAWING NUMBER B841300 FOR GENERAL FOUNDATION NOTES.
- *2. USE MIN. 2'-6" SQ. OR 3'-0" DIA. ROUND PIER WHEN BPC45G OR BPC55G IS USED.
3. VERTICAL REINFORCING STEEL SHALL BE REPLACED WITH STRAIGHT BARS WHEN NO PAD IS REQUIRED.
4. HORIZ. BARS IN CHART REFER ONLY TO THE BARS IN THE FOUNDATION PAD.

FILE NO. Standard-80

REVISIONS				
REV.	DESCRIPTION	DWN	CHK	APP
8	UPDATE IN AUTOCAD	JDM	M,F	H,A
DATE: Mar/17/2006				

DWG REFERENCE



6718 WEST PLANK ROAD
PEORIA, IL 61604
TOLL FREE 800-727-ROHN

THIS DRAWING IS THE PROPERTY OF ROHN, IT IS NOT TO BE REPRODUCED, COPIED OR TRACED IN WHOLE OR IN PART WITHOUT OUR WRITTEN CONSENT.

FOUNDATION
BASE PIER FOR NORMAL SOIL

DWN:	CHK'D:	DATE:
O.H	WDU	Feb/26/1961

ENGR:	CW
-------	----

DRAWING NO:	REV:
C610621	8

JUL19/2007 10:13:43 AM

1/revision