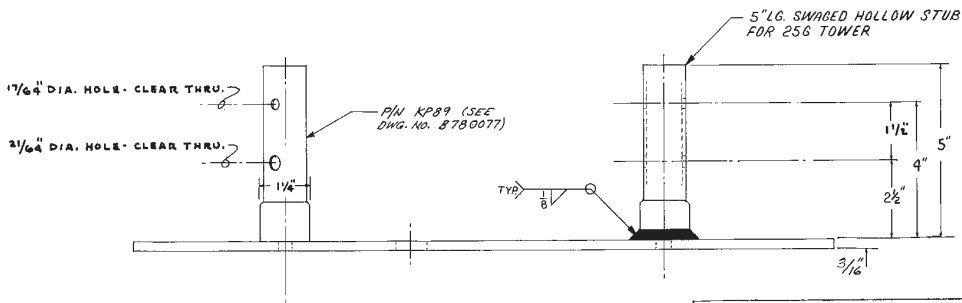


PLAN

NOTE: DUE TO VARIABLES INVOLVED IN ROOF AND OTHER INSTALLATIONS, IT SHALL BE THE CUSTOMER'S OR INSTALLER'S RESPONSIBILITY TO PROVIDE STRUCTURALLY ADEQUATE SUPPORTS FOR PIER & ANCHOR CONNECTIONS. IT MAY ALSO BE NECESSARY FOR THE CUSTOMER OR INSTALLER TO SECURE THE SERVICE OF A LOCAL ENGINEER TO DETERMINE THAT INSTALLATION COMPLIES WITH LOCAL BUILDING CODES.



ELEVATION

TEMPORARY STEEL GUYING IS NECESSARY DURING INSTALLATION AND DISMANTLING.

BASE PLATE FOR CONCRETE PIER (BPC 25G)

NOTE:  
FOR USE WITH GUYED AND BRACKETED TOWERS ONLY.

R1 REVISED 3-22-73 D.M.  
R2 REVISED 6-5-84 G.H.

		DRAWN c/k		CUSTOMER	TITLE
R7	ADDED TEMP. GUYING NOTE	11-8-86	RIB	ROHN MFG. PEORIA, ILLINOIS	BASE PLATE FOR MODEL 25 TOWER DRAWING NO. C 610831R9
R6	DELETE EXCESS HOLES	8-31-79	WJK		
R5	CHANGED STUB FROM 16 GA. TO 14 GA. ADD WELD	7-26-78	AED		
R4	ADDED NOTE	7-6-76	CH		
R3	REVISED STUB & ADDED WELD SYMBOL	1-9-75	RDB		
R2	ADDED NOTE & REMOVED SCALE	11-26-73	JKR		
R0	REVISE R SIZE	7-17-92	WJK		
R0	REV. TEMP. GUYING NOTE	12-6-80	FHT		