

ASSEMBLY P/N: RACW

BILL OF MATERIALS

ITEM	PART NO.	QTY	DESCRIPTION
1	RAC4	3	2' ANTI-CLIMB WIRE BRACE
2	RAC5	3	1' ANTI-CLIMB WIRE BRACE
3	210527G	6	BOLT 3/8 X 3 1/2 HCS FT G5
4	38CTLFG/2H	6	LOCK NUT 3/8 A563 DH HDG
5	250008G	12	WASHER 3/8 FLAT HDG F436

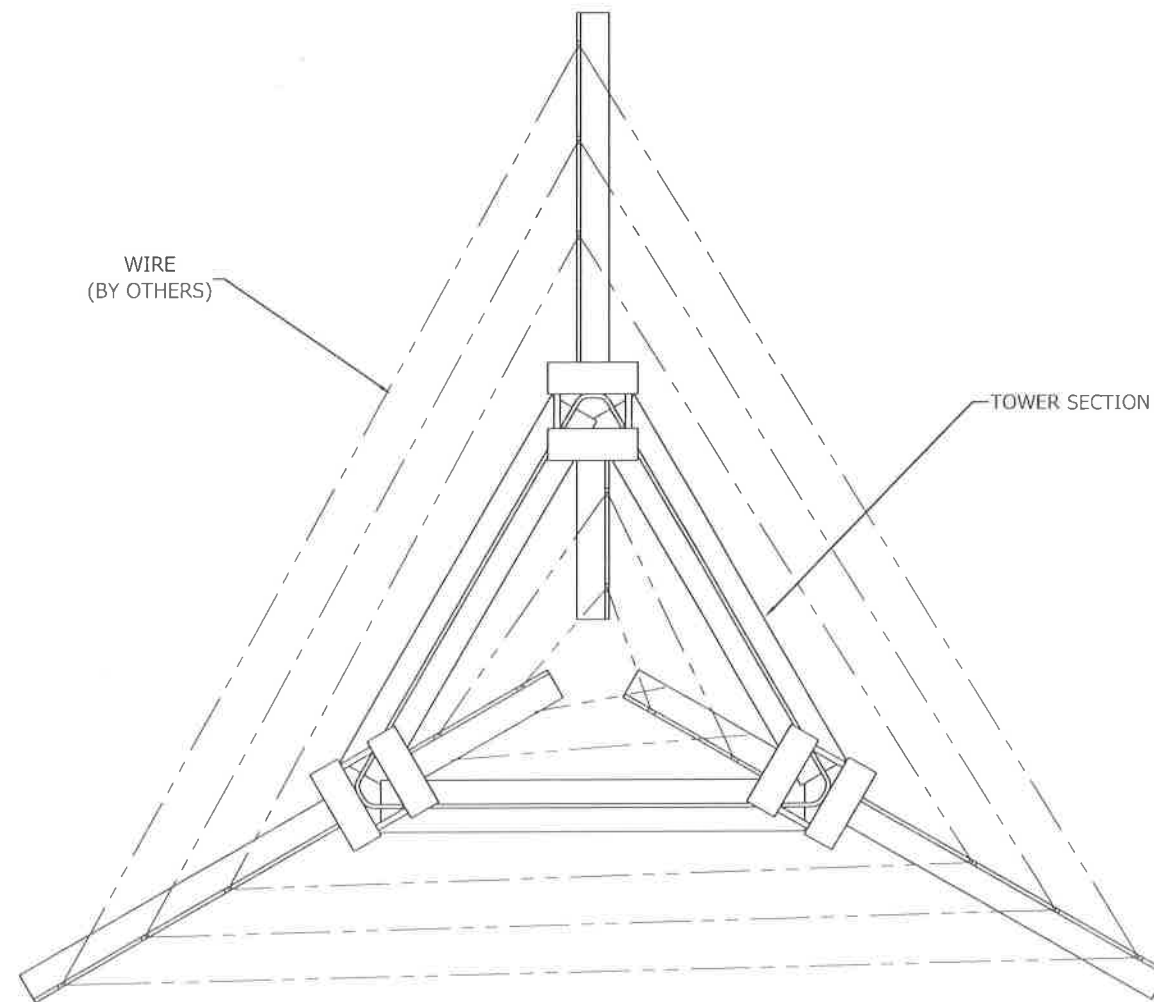
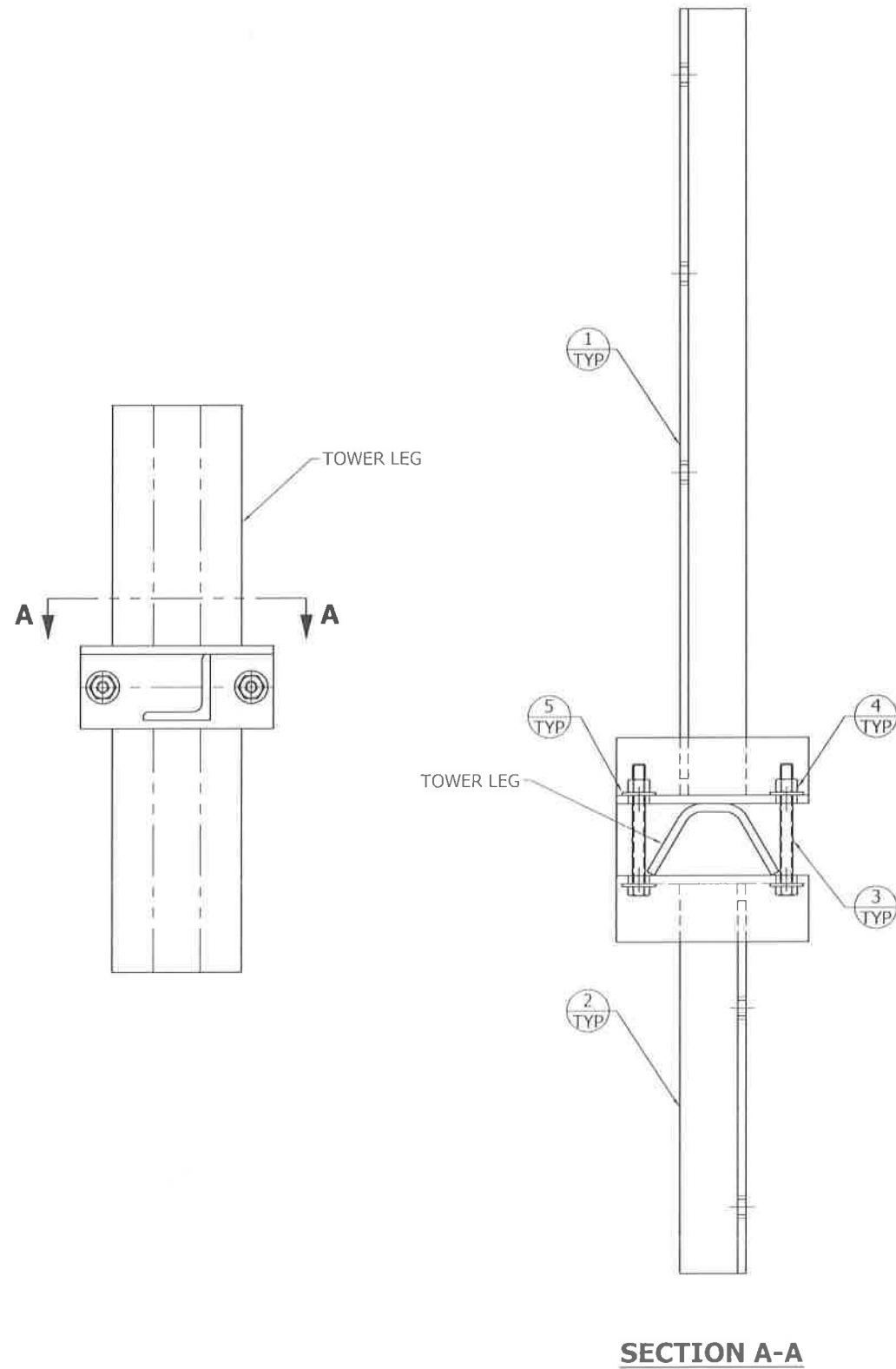
NOTES:

1. WIRE TO BE SUPPLIED BY OTHERS.

FILE NO.

REVISIONS

REV	DESCRIPTION	DWN	CHK	APP
4	FIXED DRAWING TO SHOW WASHERS & SLOTTED HOLES. DATE: 11/01/17	CEJ	KTL	DWG



PO BOX 5999
PEORIA, IL 61601-5999
TOLL FREE 800-727-ROHN

THIS DRAWING IS THE PROPERTY OF ROHN. IT IS NOT TO BE REPRODUCED, COPIED OR TRACED IN WHOLE OR IN PART WITHOUT OUR WRITTEN CONSENT.

RSL TOWER ANTI-CLIMB BRACKETS

DWN: ZAW	CHK'D: JDM	DATE: 07/20/12
ENG'R: HA	SHEET #: 1 OF 1	
PRJ. ENG'R:	PRJ. MANG'R:	
DRAWING NO: RACW	REV: 4	