

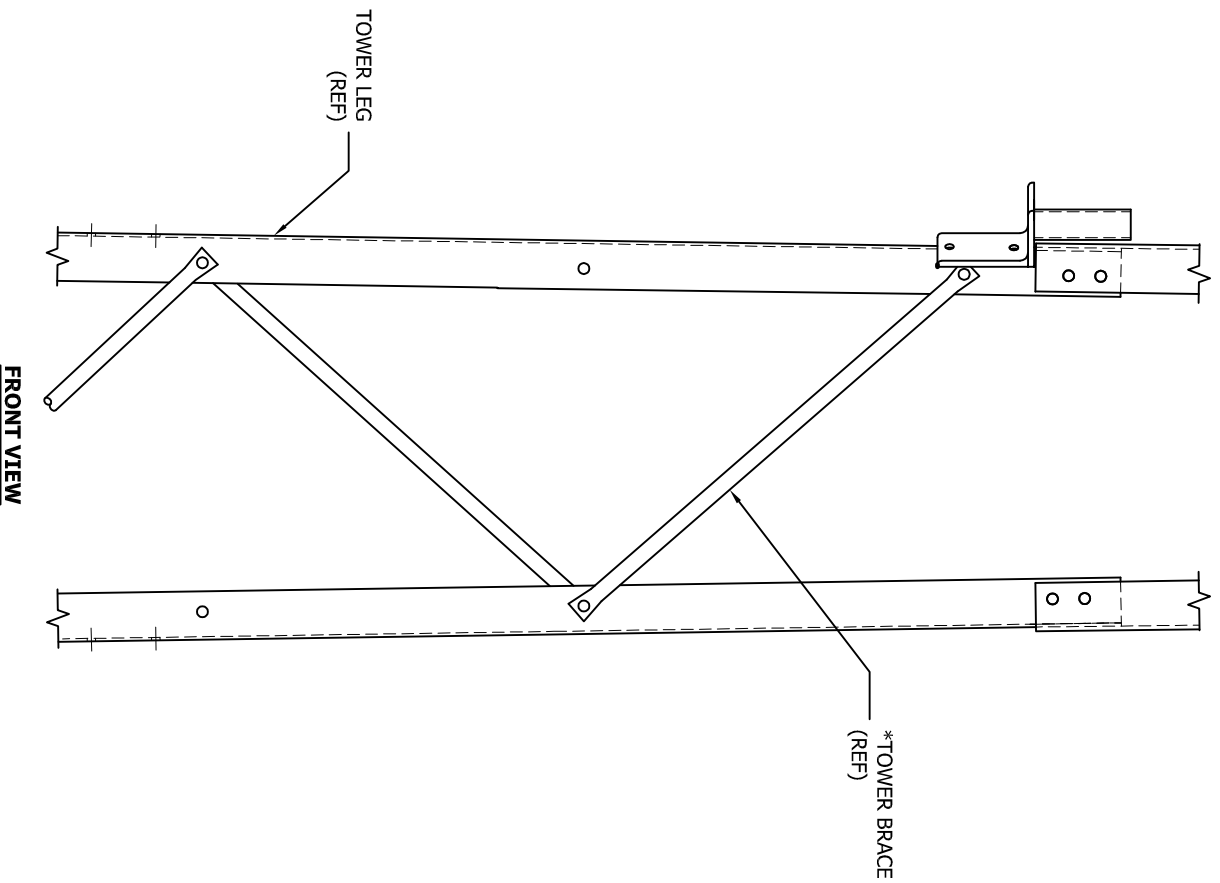
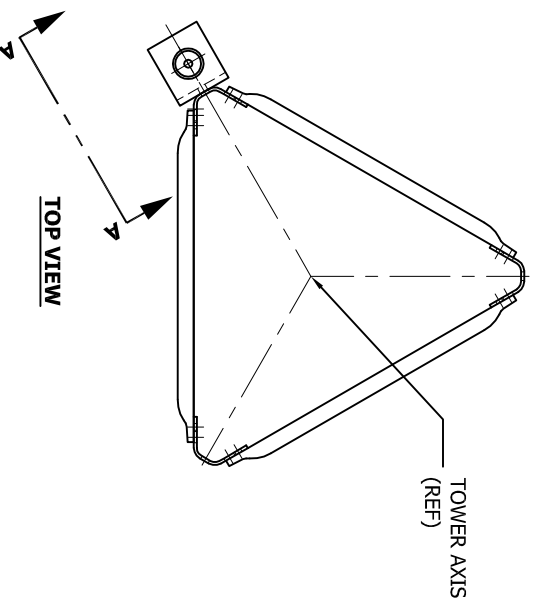
# ASSEMBLY P/N: RSLM-LMB

## BILL OF MATERIAL

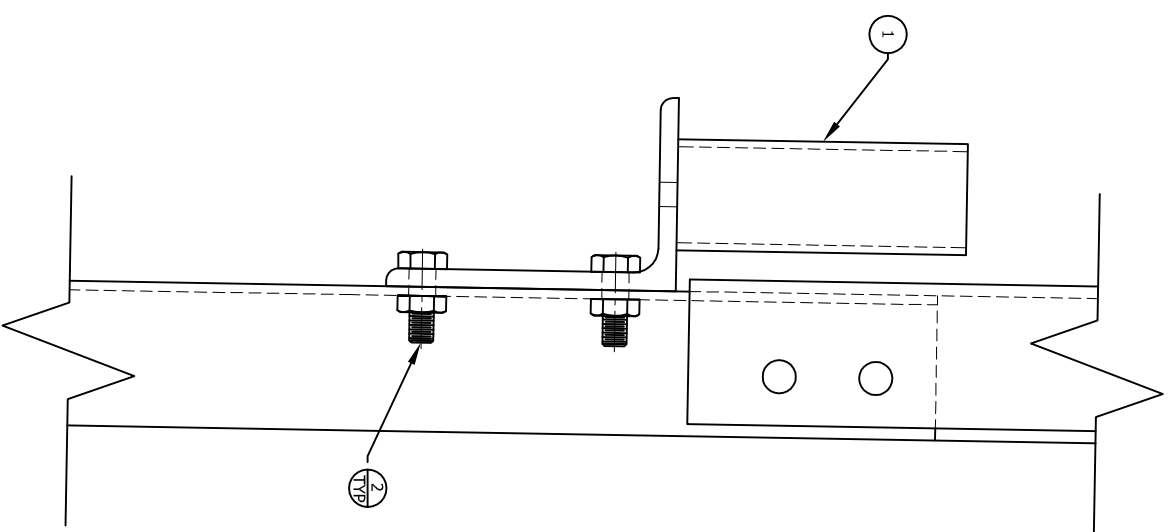
ITEM	QTY.	PART NO.	DESCRIPTION
1	1	RM-008	RSL 6" LEG MOUNT
2	2	210017GA-TLN	BOLT ASSY 1/2 X 1-1/4 A325

**NOTE:**

1. BOLT ASSY'S IN B.O.M. ABOVE CONSIST OF BOLT & HEAVY HEX TRI-LOC NUT.



MOUNT ATTACHES TO TOWER LEG AT ACCESSORY MOUNTING HOLES PROVIDED IN EACH LEG.



FILE NO.

REVISIONS

REV.	DESCRIPTION	DWN	CHK	APP
1	UPDATE DRAWING TO NEW STANDARDS	ZAW	JDM	HA
	DATE: 09/04/12			



PO BOX 5999  
PEORIA, IL 61601-5999  
TOLL FREE 800-727-ROHM

THIS DRAWING IS THE PROPERTY OF ROHM. IT IS NOT TO BE REPRODUCED, COPIED OR TRADED IN WHOLE OR IN PART WITHOUT OUR WRITTEN CONSENT.

### RSL TOWER LEG MOUNTED BRACKET

DWN: ZAW    CHK'D: JDM    DATE: 07/23/12

ENGR: HA    SHEET #: 1 OF 1

PRJ. ENGR: OH    PRJ. MANGR:

DRAWING NO: RSLM-LMB    REV: 1