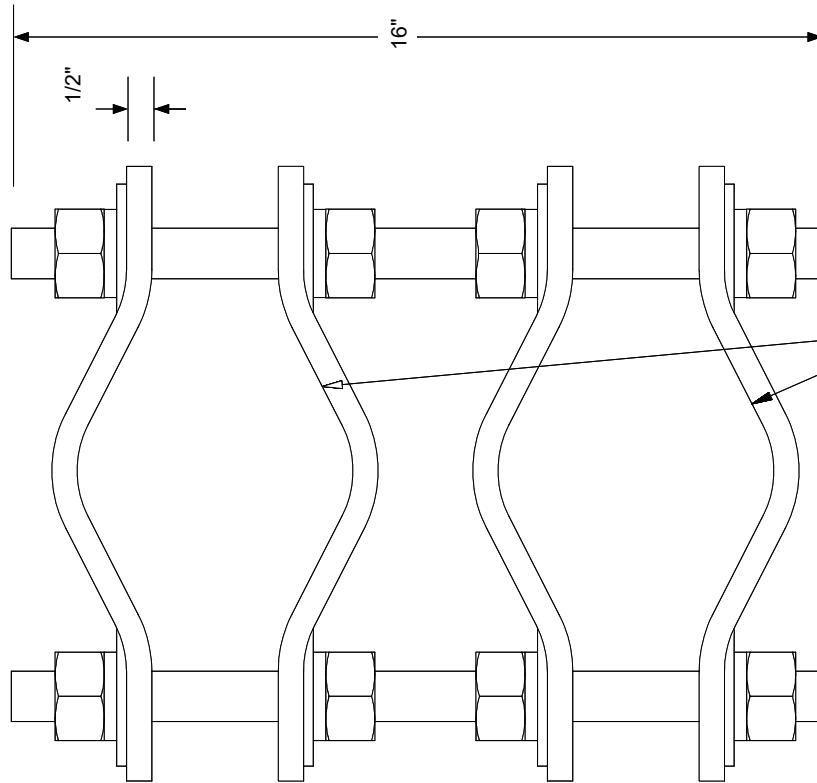
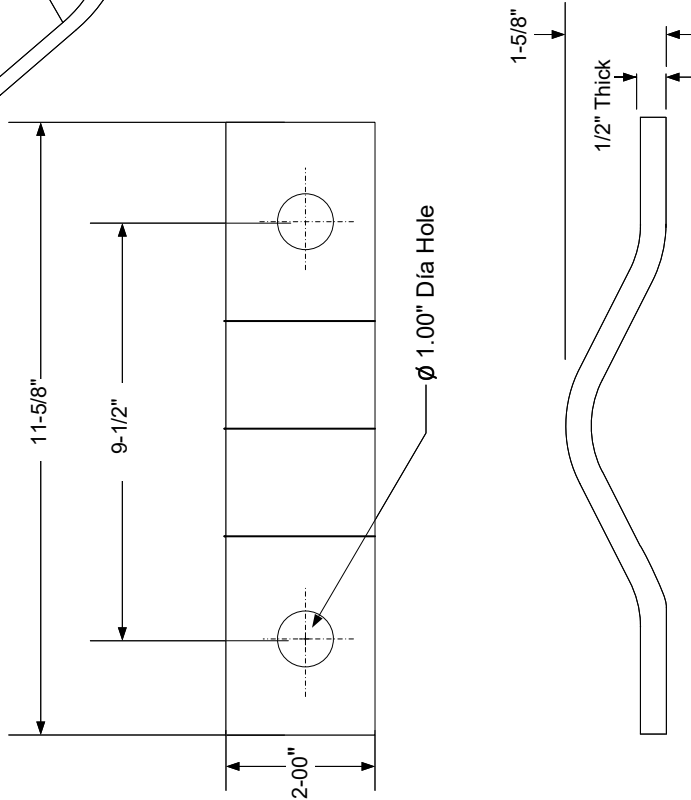
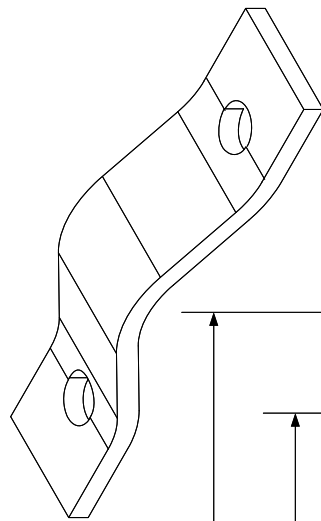


TITLE

PART # 3S-40-16

Parts List

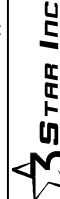
QTY.	1/2" THICK, 11-5/8" LONG	CLAMP HALF
4	5/8" x 16"	HDG THREADED ROD
2	5/8"	HDG HEAVY 2H HEX NUT
8	5/8"	HDG LOCKWASHER
8	5/8"	HDG USS FLATWASHER



DESCRIPTION

Heavy Duty Antenna  
Pipe to Pipe Mount 4" - 9"

Visit us on the web at [www.3starinc.com](http://www.3starinc.com)  
Contact Email: [support@3starinc.com](mailto:support@3starinc.com) | Phone: (804)550-7202



9487 King Air Ct. Unit C  
Ashland, VA 23005 USA