

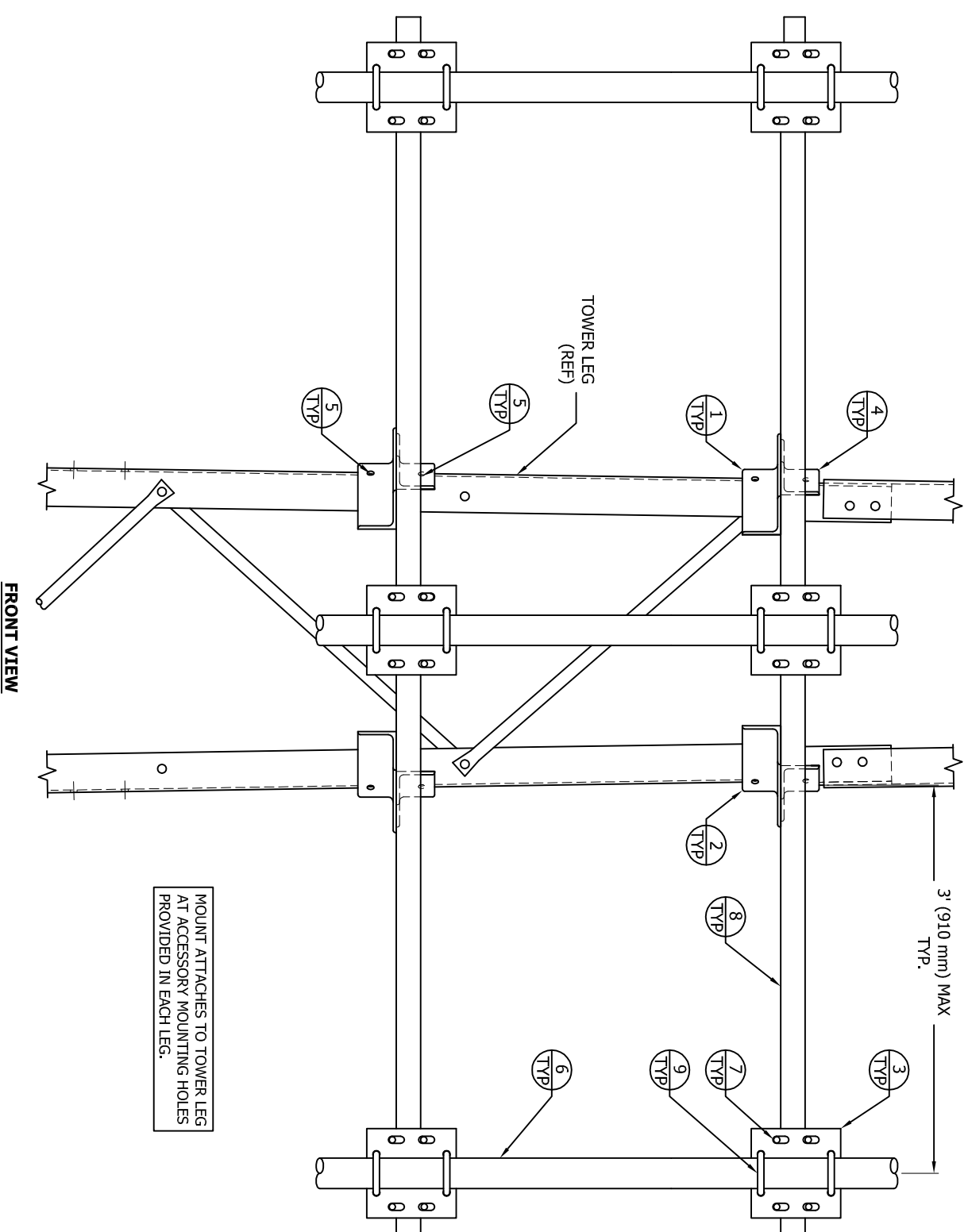
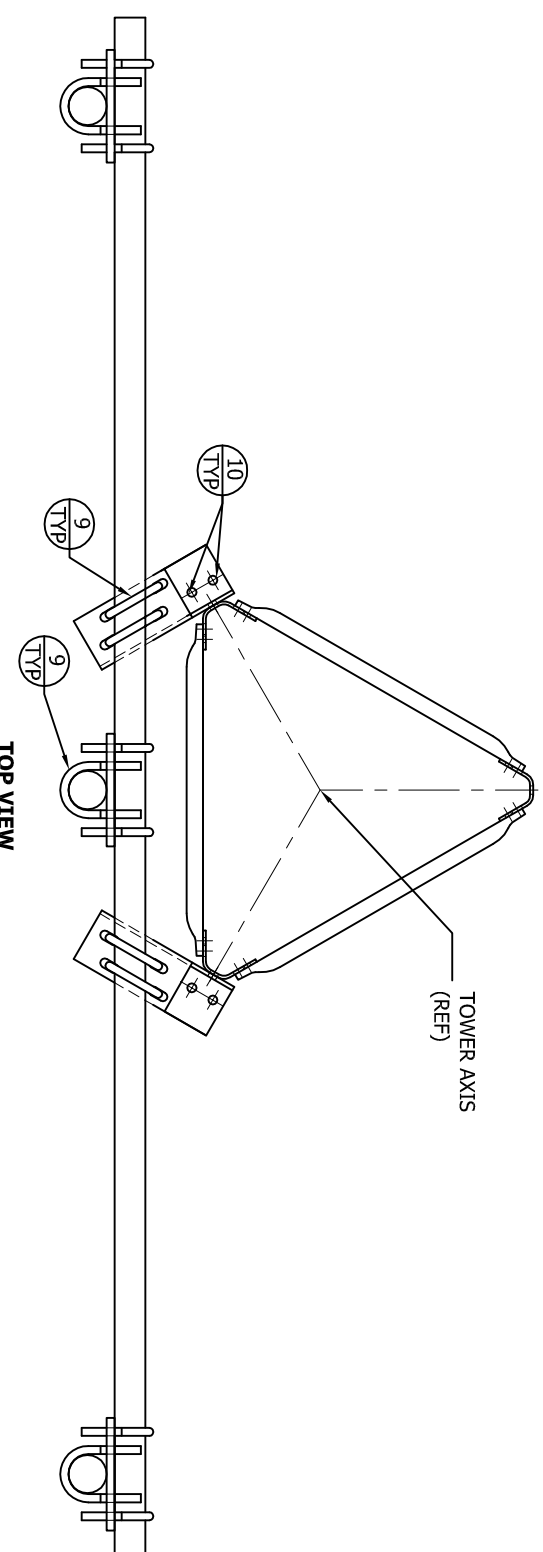
ASSEMBLY P/N: RSLM-3FM

BILL OF MATERIAL

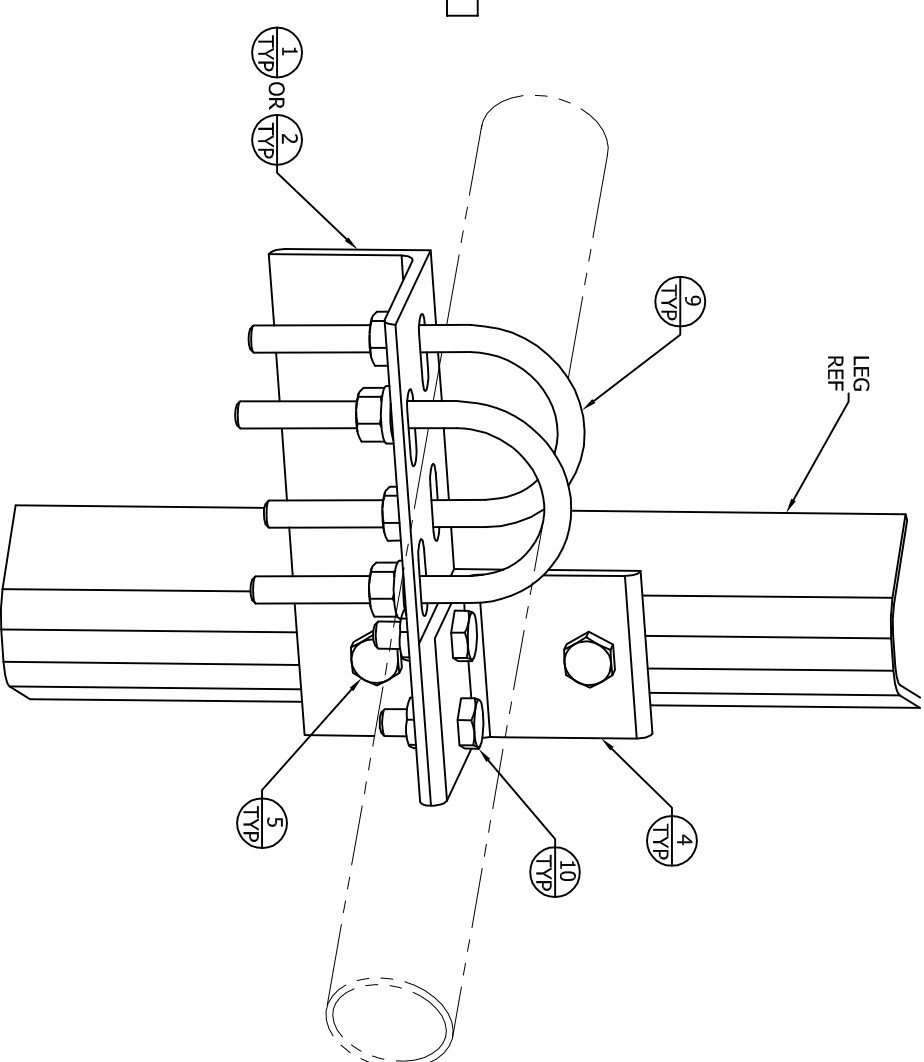
ITEM	QTY.	PART NO.	DESCRIPTION
1	2	RM-003L	ANGLE MOUNT 3.5X3X.25X9.75"
2	2	RM-003R	ANGLE MOUNT 3.5X3X.25X9.75"
3	6	KH4750	BAR SIDE ARM 8X.5X9.25" HDG
4	4	RM-005	ANGLE MOUNT 3X3X.25X3.50"
5	8	210017GA-TLN	BOLT ASSY 1/2 X 1-1/4 A325
6	3	KH275	PIPE 2.380DX.154WX5.00" HDG
7	12	JR810AW-TLN	U-BOLT ASSY 1/2 X 2 W/ WASHER
8	2	KH286	PIPE 1.900DX.145WX10.00" HDG
9	20	JR83AW-TLN	U-BOLT ASSY 1/2 X 2-1/2 W/WASH
10	8	210018GA-TLN	BOLT ASSY 1/2 X 1-1/2 HSB A325

NOTE:

- BOLT ASSY'S IN B.O.M. ABOVE CONSIST OF BOLT & HEAVY HEX TRI-LOC NUT.
- FLAT WASHERS ARE PROVIDED FOR ALL SLOTTED HOLES.
- NOMINAL METRIC EQUIVALENTS ARE GIVEN FOR REFERENCE ONLY AND SHALL NOT BE SUBSTITUTED FOR THE DESCRIBED SIZE UNLESS OTHERWISE APPROVED BY ROHN PRODUCTS.
- ALL DIMENSIONS IN PARENTHESSES ARE IN METERS, UNLESS OTHERWISE NOTED.



MOUNT ATTACHES TO TOWER LEG AT ACCESSORY MOUNTING HOLES PROVIDED IN EACH LEG.



MOUNT ATTACHMENT TO LEGS

FILE NO.

REVISIONS

REV.	DESCRIPTION	DWN	CHK	APP
3	UPDATE DRAWING TO NEW STANDARDS	ZAW	JDM	HA
	DATE: 09/04/12			

ROHN
PRODUCTS

PO BOX 5999
PEORIA, IL 61601-5999
TOLL FREE 800-727-ROHN

THIS DRAWING IS THE PROPERTY OF ROHN. IT IS NOT TO BE REPRODUCED, COPIED OR TRADED IN WHOLE OR IN PART WITHOUT OUR WRITTEN CONSENT.

RSL TOWER
3' (910mm) FRAME MOUNT

DWN: CEJ CHK'D: JDM DATE: 05/16/12

ENGR: HA SHEET #: 1 OF 1

PRJ. ENGR: OH PRJ. MANGR:

DRAWING NO: RSLM-3FM REV: 3