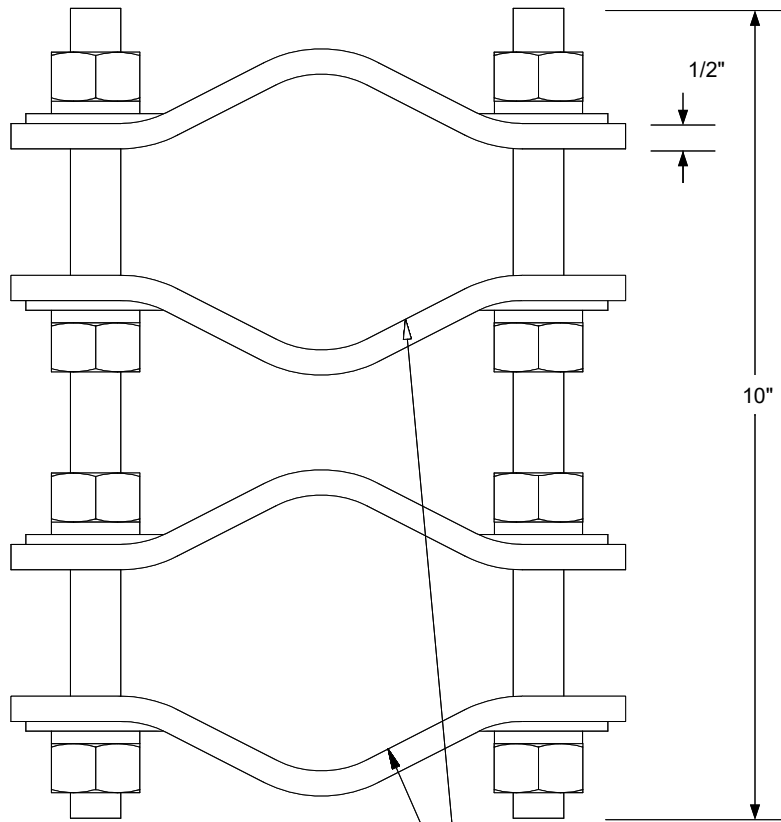


TITLE

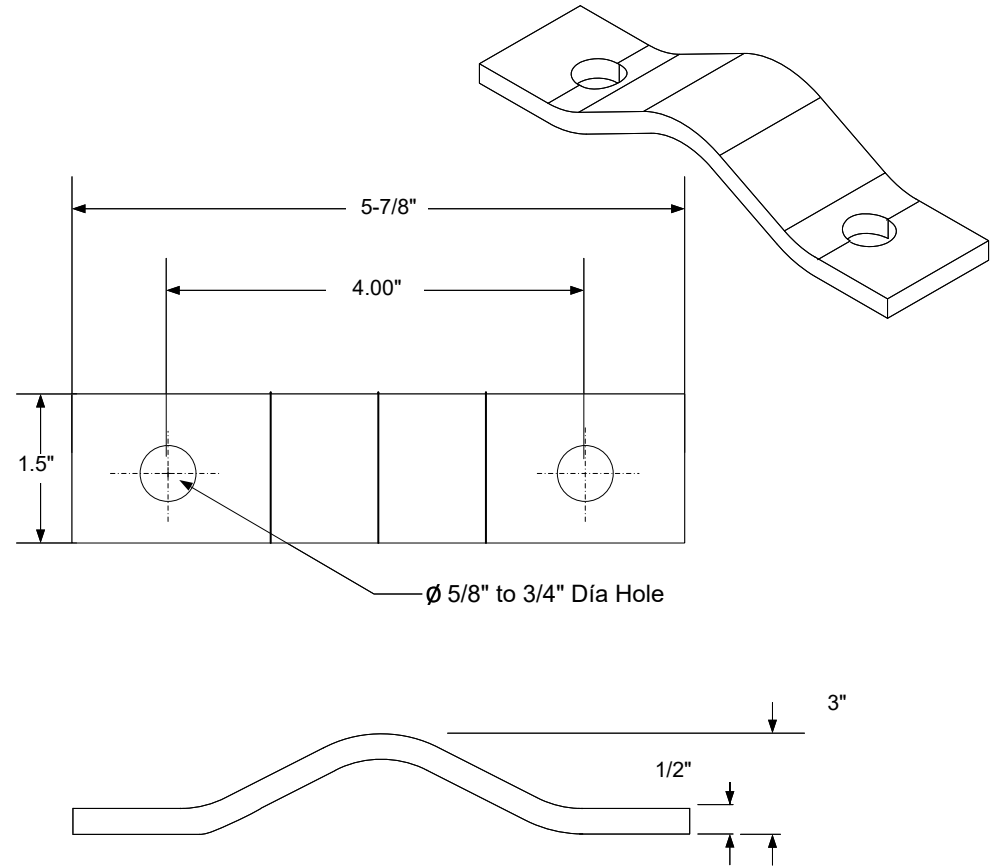
PART # 3S-10-23

Parts List

| QTY. | | |
|------|-------------------------|----------------------|
| 4 | 1/2" THICK, 5-7/8" LONG | CLAMP HALF |
| 2 | 1/2" x 10" | HDG THREADED ROD |
| 8 | 1/2" | HDG HEAVY 2H HEX NUT |
| 8 | 1/2" | HDG LOCKWASHER |
| 8 | 1/2" | HDG USS FLATWASHER |



FITS 1.50" TO 3.50" PIPE O.D.



| | | | |
|-------------|---|--|--|
| DESCRIPTION | Visit us on the web at www.3starinc.com Contact Email: support@3starinc.com Phone: (804)550-7202 | | |
| |  9487 King Air Ct. Unit C Ashland, VA 23005 USA | | |
| | | | |
| | | | |