

ASSEMBLY P/N: RSLM-DLM

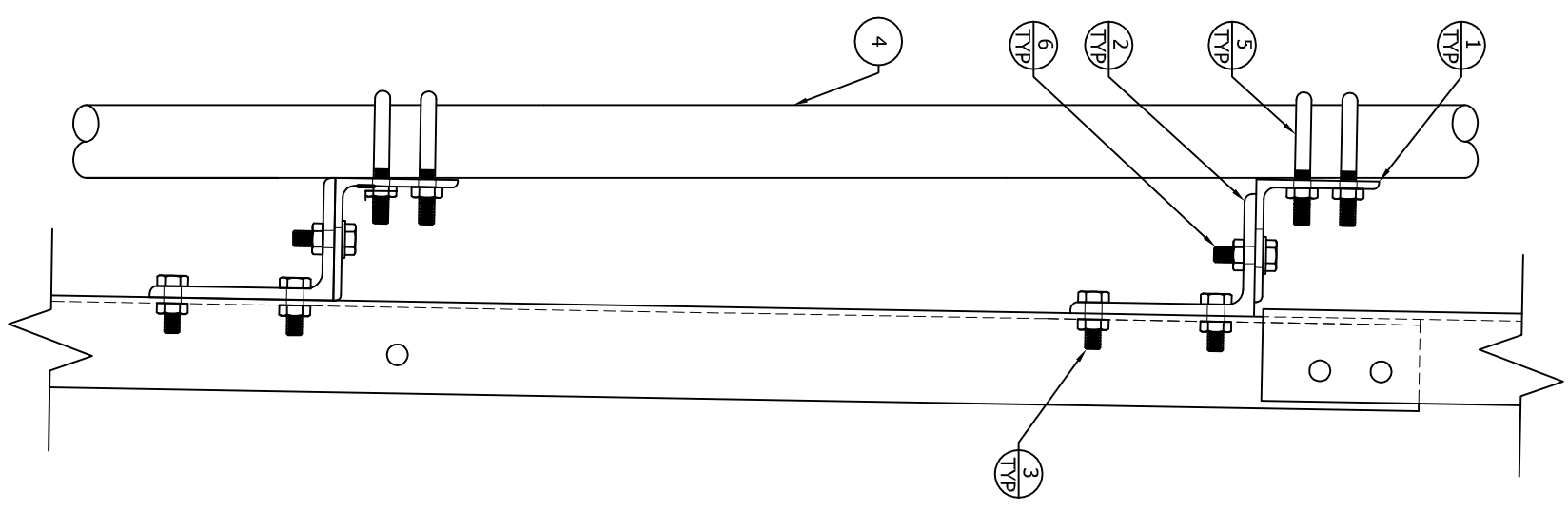
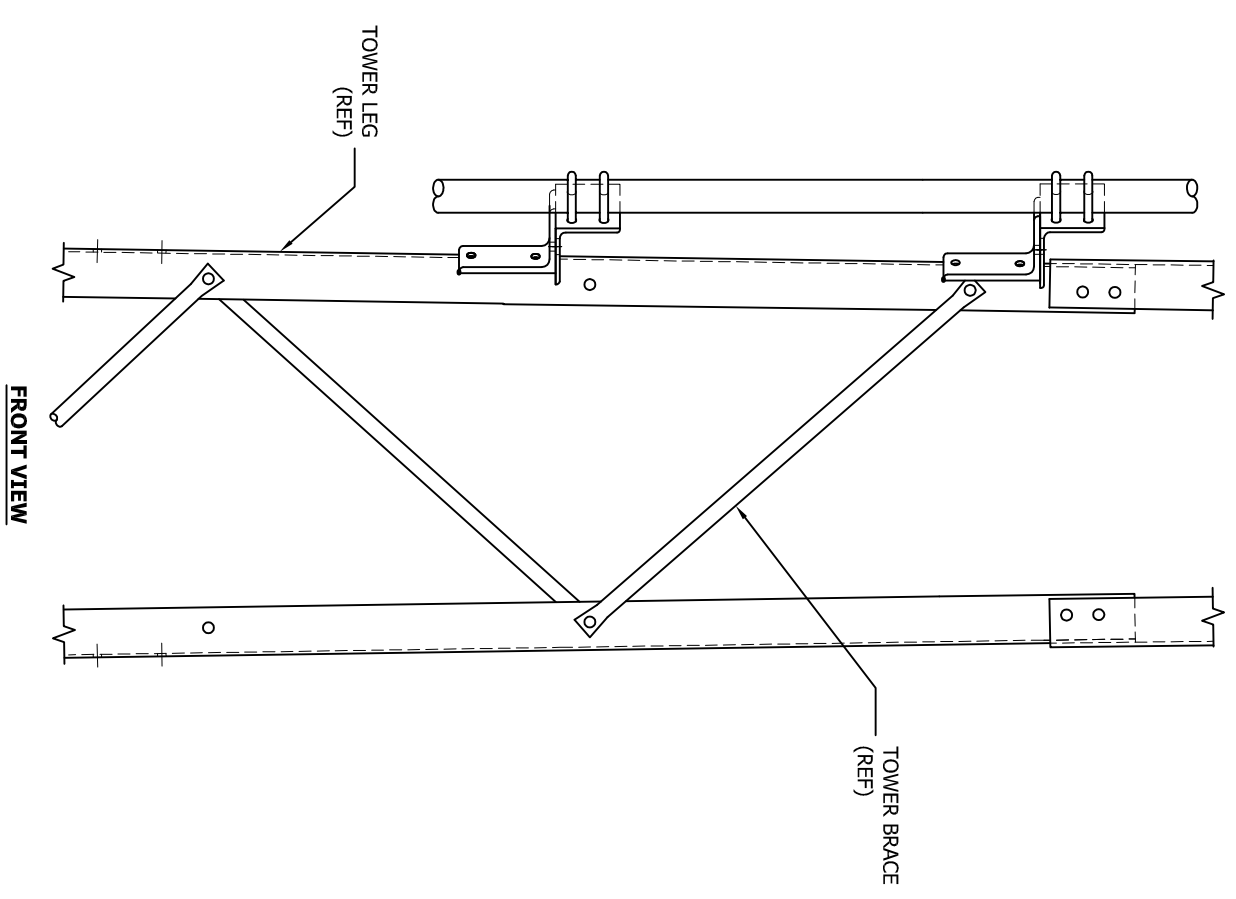
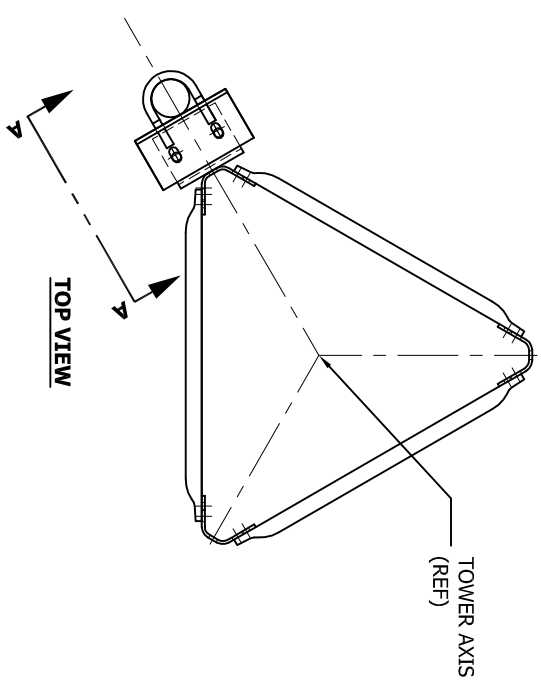
BILL OF MATERIAL

ITEM	QTY.	PART NO.	DESCRIPTION
1	2	RM-001	MOUNT DISH BRKT 1.4X4X.25X5.50"
2	2	RM-002	MOUNT DISH BRKT 1.6X4X.38X3.50"
3	4	210017GA-TLN	BOLT ASSY 1/2 X 1-1/4 A325
4	1	KH275	PIPE 2.38ODX.154WX5.00' HDG
5	4	JR83A-TLN	U-BOLT ASSY 1/2 X 2-1/2
6	4	210018GA-TLN	BOLT ASSY 1/2 X 1-1/2 HSB A325

NOTE:

1. BOLT ASSY'S IN B.O.M. ABOVE CONSIST OF BOLT & HEAVY HEX TRI-LOC NUT.
2. FLAT WASHERS ARE PROVIDED FOR ALL SLOTTED HOLES.
3. NOMINAL METRIC EQUIVALENTS ARE GIVEN FOR REFERENCE ONLY AND SHALL NOT BE SUBSTITUTED FOR THE DESCRIBED SIZE UNLESS OTHERWISE APPROVED BY ROHN PRODUCTS.
4. ALL DIMENSIONS IN PARENTHESES ARE IN METERS, UNLESS OTHERWISE NOTED.

MOUNT ATTACHES TO TOWER LEG AT ACCESSORY MOUNTING HOLES PROVIDED IN EACH LEG.



FILE NO.

REVISIONS

REV.	DESCRIPTION	DWN	CHK	APP
3	UPDATE DRAWING TO NEW STANDARDS	ZAW	JDM	HA
	DATE: 09/04/12			



PO BOX 5999
PEORIA, IL 61601-5999
TOLL FREE 800-727-ROHN

THIS DRAWING IS THE PROPERTY OF ROHN. IT IS NOT TO BE REPRODUCED, COPIED OR TRADED IN WHOLE OR IN PART WITHOUT OUR WRITTEN CONSENT.

RSL TOWER
2.38" (60 mm) O.D. PIPE LEG MOUNT

DWN: CEJ
CHK'D: JDM
DATE: 05/15/12

ENGR: HA
SHEET #: 1 OF 1

PRJ. ENGR: OH
PRJ. MANGR:

DRAWING NO: RSLM-DLM
REV: 3